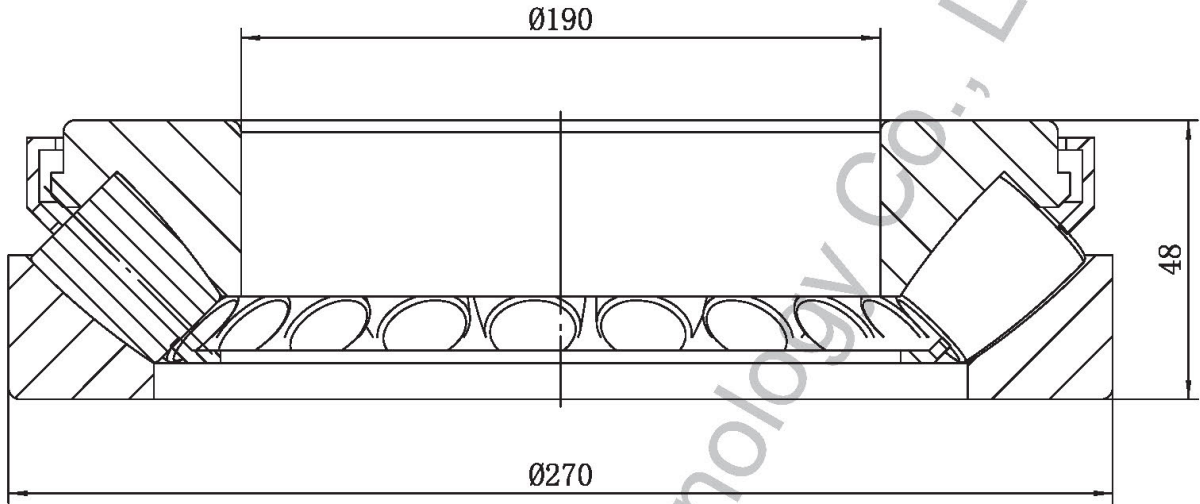


29238E



- 1 rated load: Cr= 540 KN ; Cor= 2300 KN ;
- 2 Heat treatment according to the current standards

Remark:  
 1. Luoyang JCB Bearing Technology Co., Ltd is a technical Inc, specialize in designing and manufacturing thrust bearing, we can design and manufacture all kinds of thrust bearing according to client's requirement.  
 2. This drawing is reference for user, if you need formal drawing, please contact with us sales@jcb-bearing.com, the official drawing will be submitted after order confirmation.



07	cage		STEEL		
04	roller		steel GCr15-GB/T18254		
02	shaft washer		steel GCr15SiMn-GB/T18254		
01	house washer		steel GCr15SiMn-GB/T18254		Weight (kg)
serial	Name	Qty	Material		8.50
				29238E	
			Thrust spherical roller bearing	Add: No.3 Lianmeng road, Luoyang, Henan, China.	
				Postal: 471003 Website: <a href="http://www.jcb-bearing.com">www.jcb-bearing.com</a>	
				Phone: +86-379-68611678 <a href="http://www.sphericalrollerthrustbearing.com">www.sphericalrollerthrustbearing.com</a>	
				Fax: +86-379-68611679	
				E-mail: sales@jcb-bearing.com	
				Luoyang JCB Bearing Technology Co., Ltd	